



## Home Energy Pellet Biomass heating systems

Pellet Bio CV 10 – Pellet Bio CV 20 / 30 – Pellet Bio CV 45 / 60

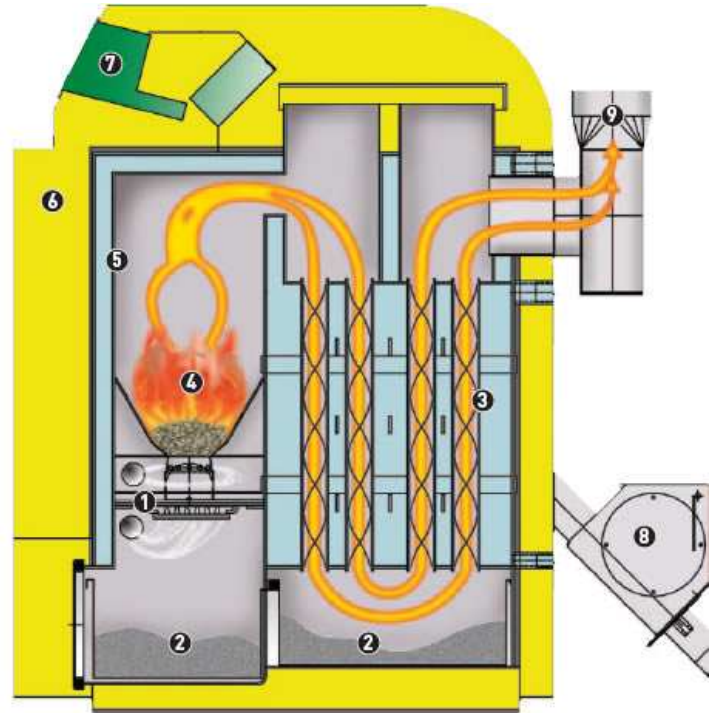


Your choice



## Home Energy Pellet Bio CV system:

- ✓ Easy and convenient operation
- ✓ Fully automatic cleaning system
- ✓ Large ash-pan provides for less frequent cleaning intervals
- ✓ Central control unit for:
  - Heating system control
  - Hot water supply
  - Control unit to increase the return flow temperature
  - Fuel buffer storage control
  - Solar system control
  - Clear LCD display
  - Easy operation
- ✓ Combustion control  
Lambda probe provides energy saving fuel consumption and continuously clean combustion
- ✓ Modern design
- ✓ Low space requirement



1. Pivoting grate for automatic grate cleaning
2. Large ash-pan, accessible from the front
3. Self cleaning flue channels
4. High-temperature resistant burner chamber
5. Boiler body made of high grade steel sheet metal; welded, pressure tested and fully mounted
6. Low radiation loss with optimum insulation
7. Control and operating unit
8. Burn – back safety device for fire control BSD

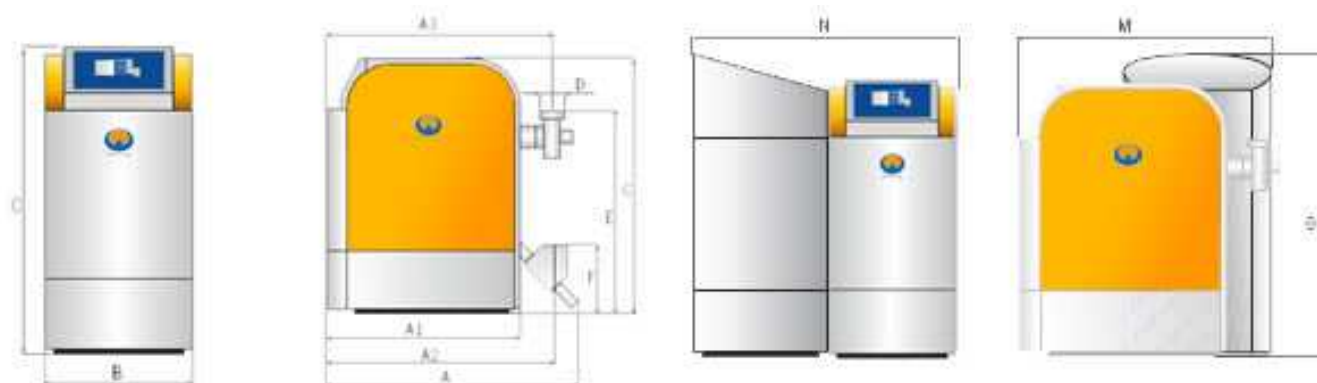
Your choice



## The Home Energy Biomass heating system performs with highest efficiency!

| Technical specifications          |       | 10         | 20       | 30         | 45        | 60        |
|-----------------------------------|-------|------------|----------|------------|-----------|-----------|
| Output range                      | kW    | 2,9 – 12,1 | 5,3 – 20 | 6,4 – 31,6 | 11,8 – 47 | 11,8 - 62 |
| Boiler weight                     | kg    | 261        | 310      | 310        | 518       | 518       |
| Max. Permissible feed pressure    | mbar  | 0,10       | 0,10     | 0,10       | 0,10      | 0,10      |
| Permissible operating pressure    | bar   | 3,0        | 3,0      | 3,0        | 3,0       | 3,0       |
| Max. Permissible flow temperature | °C    | 95         | 95       | 95         | 95        | 95        |
| Water capacity                    | L     | 55         | 76       | 76         | 178       | 178       |
| Electrical supply                 | V/ Hz | 230 / 50   | 230 / 50 | 230 / 50   | 230 / 50  | 230 / 50  |

Technical modifications are reserved



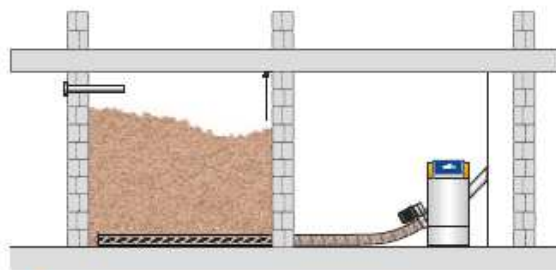
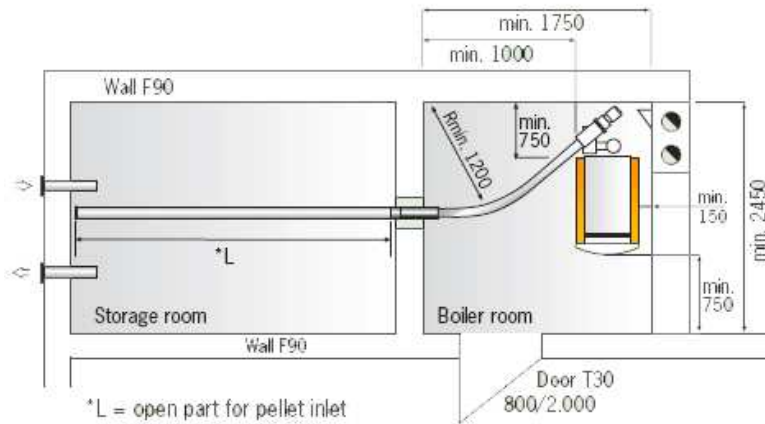
| Dimensions (mm) |  | 10   | 20   | 30   | 45   | 60   |
|-----------------|--|------|------|------|------|------|
| A               | Length overall                                       | 1315 | 1315 | 1315 | 1560 | 1560 |
| A1              | Length boiler  | 865  | 940  | 940  | 1160 | 1160 |
| A2              | Length boiler plus distance to BSD centre line       | 1120 | 1120 | 1120 | 1400 | 1400 |
| A3              | Length boiler plus distance to flue pipe centre line | 955  | 1030 | 1030 | 1300 | 1300 |
| B               | Width (maximum for access)                           | 590  | 590  | 590  | 750  | 750  |
| C               | Height   | 1168 | 1268 | 1268 | 1480 | 1480 |
| D               | Smoke flue diameter                                  | 130  | 130  | 130  | 150  | 150  |
| E               | Height to flue pipe top edge                         | 925  | 1025 | 1025 | 1300 | 1300 |
| F               | Height to BSD top edge                               | 435  | 435  | 435  | 480  | 480  |
| G               | Height to flow connection (1")                       | 891  | 991  | 991  | 1200 | 1200 |
| H               | Height to return flow connection (1")                | 701  | 801  | 801  | 1015 | 1015 |
| J               | Height to feed and drain connection (1/2")           | 264  | 264  | 264  | 264  | 264  |



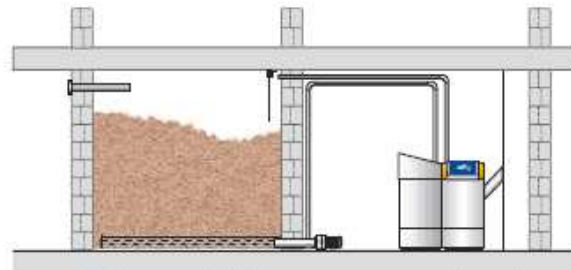
Your choice

## Flexible and safe fuel transport systems

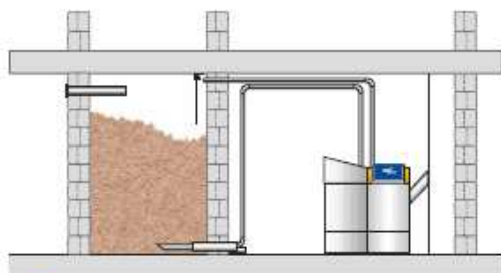
| Dimensions with additional tank (mm) |                | 10   | 20   | 30   | 45   | 60   |
|--------------------------------------|----------------|------|------|------|------|------|
| M                                    | Overall length | 1375 | 1450 | 1450 | 1470 | 1470 |
| N                                    | Overall width  | 1190 | 1190 | 1190 | 1270 | 1270 |
| O                                    | Height         | 1328 | 1428 | 1428 | 1730 | 1730 |



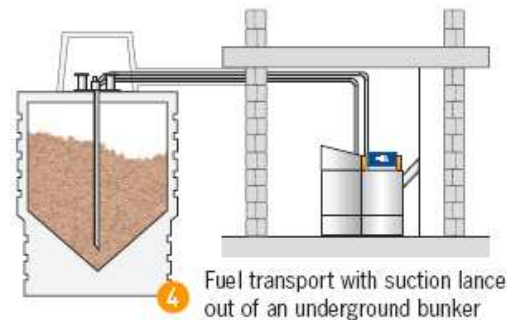
1 Fuel transport with flexible screw conveyor



2 Fuel transport with screw conveyor and suction lance



3 Fuel transport with suction lance



4 Fuel transport with suction lance out of an underground bunker



Your choice